
General Specification of GC10

GC10 Geiger Counter Module



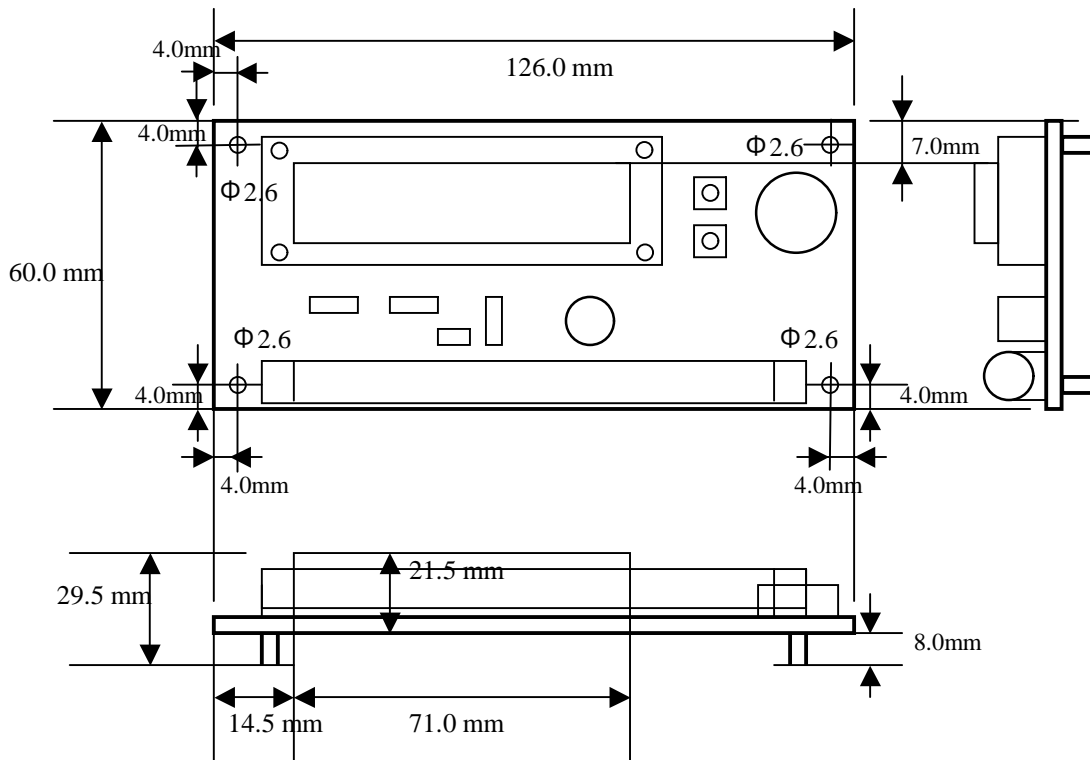
Features

- *sensitive to gamma-ray and high-energy beta-ray
- *quick dose-rate updating algorithm (useful for finding hot spot)
- *detection sound and warning alarm.
- *high contrast LCD
- *PC connectable via USB module (requires USB connection module)
- *iPhone connectable (requires iPhone connection module)

Specification

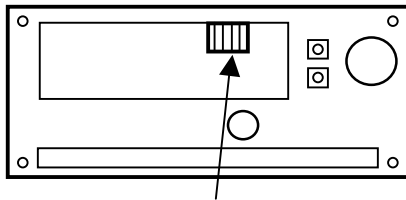
- *Power : stable DC5V or DC7~12V (AC adaptor)
- *Current : 31mA (20CPM)
- *Outline : 126.0x60.0x31.5 (mm)
- *Weight : 84g
- *Measuring range : 0 ~ 65535CPM
- *Operating Temperature : -8 ~ +50°C:

■ Outline drawing



■ Communication port

GC10 has a communication port for data logging and control with external terminal(PC).



Com PORT



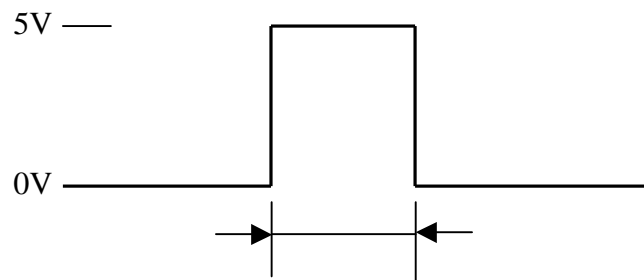
pin assign

*Communication PORT1: UART (SERIAL)

9600bps
5V CMOS level

more info. See UART spec document.

*Communication PORT2: PULSE



ON duration: 0.76ms~1.02msec